

RESERVE

by SOUNDSTREAM®

**OEM UPGRADE HEAD UNIT FOR
'14-23' HARLEY DAVIDSON® MOTORCYCLES**

INSTALLATION GUIDE



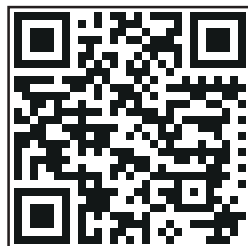
androidauto



**To print a complete owners manual, visit us
online at motorcycleaudio.com/WH-D14+**

- or -

**scan this QR code with your phone's
camera to download the complete
owners manual to your phone.**



REMOVAL OF ORIGINAL HEAD UNIT

Street Glide

To prevent accidental vehicle start-up, which could cause death or serious injury, remove main fuse before proceeding.

1. Remove three outer fairing bolts using a T27 Torx screw driver. The three outer fairing bolts are located below the windshield. Remove the windshield, store it and the screws removed in a safe place for re-installation later.



TIP: Reinstalling the center screw after removing the windshield will prevent the outer fairing from falling during the next step. A few turns by hand will be sufficient.

2. Remove four inner fairing bolts using a T27 Torx screw driver. The four inner fairing bolts are located adjacent to each turn indicator mounting bracket and below/adjacent to each speaker. Store these screws in a safe place for re-installation later.



3. While straddling the front wheel fender, grasp the outer fairing, remove the center outer fairing bolt from the previous step, then gently pull the fairing apart from the bike. With the fairing slightly pulled away from the bike, disconnect wire harness for the headlamp and any other accessories. Lay the fairing on a protected flat surface to prevent damage.

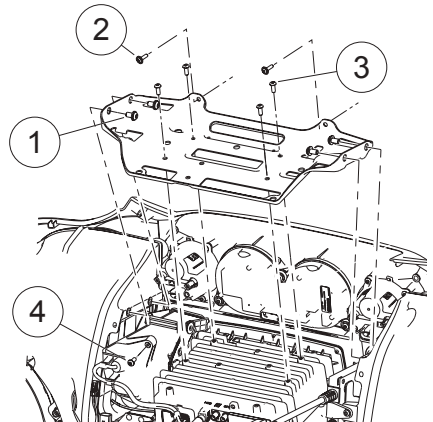
4. Remove upper support bracket. Removal of the upper support bracket requires removing 11 screws:

4.1) remove two screws attaching the bracket to each speaker enclosure (1)

4.2) remove two screws attaching the bracket to the inner fairing adjacent to the gauge cluster (2)

4.3) remove four screws attaching the bracket to the head unit chassis (3)

4.4) Remove one screw attaching the bracket to the media compartment (6)



5. Disconnect electrical connections to the head unit.

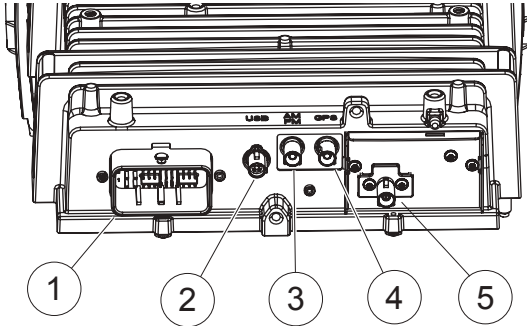
5.1) Remove the main wire harness connector (1). To remove the main wire harness, depress the latch lock with a small flathead screwdriver and swivel the latch aside. Pull the wire harness connector to remove from the socket.

5.2) Remove the USB cable connector (2). To remove the USB cable connector, depress the locking tab with a small flathead screwdriver. While depressing the locking tab, pull the USB cable to release it from the socket.

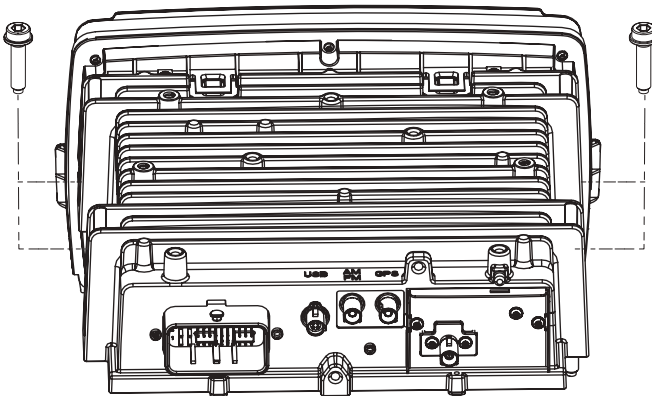
5.3) Remove the radio antenna cable connector (3). To remove the radio antenna cable connector, depress the locking tab with a small flathead screwdriver. While depressing the locking tab, pull the antenna cable to release it from the socket.

5.4) Remove the GPS antenna cable connector (4). To remove the GPS antenna cable connector, depress the locking tab with a small flathead screwdriver. While depressing the locking tab, pull the GPS antenna cable to release it from the socket.

5.5) Remove SiriusXM antenna cable connector, if equipped (5). To remove the Sirius XM antenna cable connector, depress the locking tab with a small flathead screwdriver. While depressing the locking tab, pull the Sirius XM antenna cable to release it from the socket.



6. Remove four head unit mounting screws using a 3/16" hex driver. Two screws are located at each side of the head unit chassis. Store these screws in a safe place for re-installation later. Pull the head unit assembly up and forward to remove.



REMOVAL OF ORIGINAL HEAD UNIT

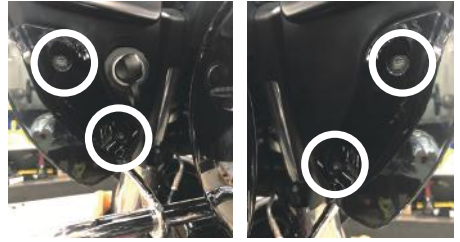
Road Glide

To prevent accidental vehicle start-up, which could cause death or serious injury, remove main fuse before proceeding.

1. Detach each turn signal / indicator light by removing the adjacent allen socket screw, using a 3/16" allen head driver. Store these screws in a safe place for re-installation later.



2. Remove four inner fairing bolts using a T25 Torx driver. Two inner fairing bolts are located below each glove box, adjacent to each wind deflector. Store these screws in a safe place for installation later.



3. Remove four windshield bolts using a 1/8" allen driver or Phillips screw driver and remove the windshield. Also remove factory vent by pulling straight up on the vent. The vent comes snapped in place. Store the screws in a safe place for installation later.



4. After removing the vent, locate and unplug the 3-pin wire harness for the left and right side turn signal indicator. These harness' are adjacent to each side of the head unit.

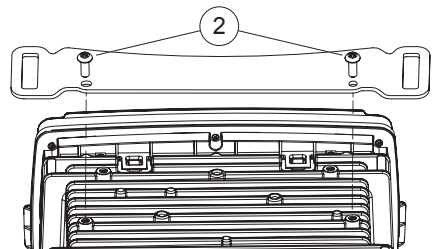


5. Remove an additional inner fairing bolt with a T27 Torx or 5/32" allen driver, one behind each speaker grill. Remove the speaker grill by wedging a plastic/nylon pry tool between the inner fairing and grill edge, popping it outward. Once these bolts are removed, the outer fairing will be detached from the inner fairing. Store these screws in a safe place for installation later.



6. While straddling the front wheel fender, grasp the outer fairing. Gently pull the fairing apart from the bike. With the fairing slightly pulled away from the bike, disconnect wire harness for the headlamp or any other accessories. Lay the fairing on a protected flat surface to prevent damage.

7. Remove two upper support bracket screws using a 3/16" allen driver. Store the bracket and screws in a safe place for re-installation later.



8. Disconnect electrical connections to the head unit.

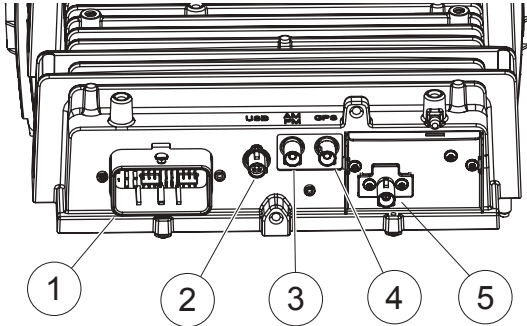
8.1) Remove the main wire harness connector (1). To remove the main wire harness, depress the latch lock with a small flathead screwdriver and swivel the latch aside. Pull the wire harness connector to remove from the socket.

8.2) Remove the USB cable connector (2). To remove the USB cable connector, depress the locking tab with a small flathead screwdriver. While depressing the locking tab, pull the USB cable to release it from the socket.

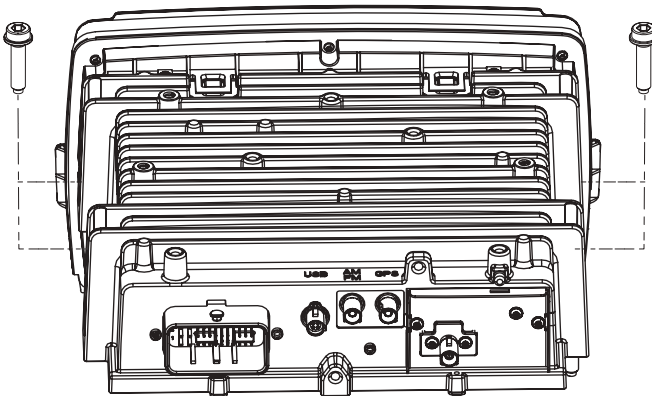
8.3) Remove the radio antenna cable connector (3). To remove the radio antenna cable connector, depress the locking tab with a small flathead screwdriver. While depressing the locking tab, pull the antenna cable to release it from the socket.

8.4) Remove the GPS antenna cable connector (4). To remove the GPS antenna cable connector, depress the locking tab with a small flathead screwdriver. While depressing the locking tab, pull the GPS antenna cable to release it from the socket.

8.5) Remove SiriusXM antenna cable connector, if equipped (5). To remove the Sirius XM antenna cable connector, depress the locking tab with a small flathead screwdriver. While depressing the locking tab, pull the Sirius XM antenna cable to release it from the socket.



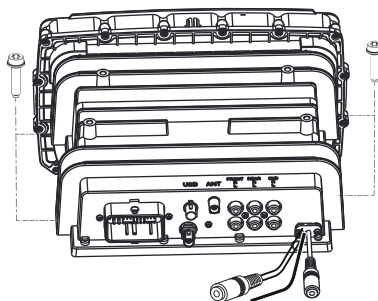
9. Remove four head unit mounting screws using a 3/16" hex driver. Two screws are located at each side of the head unit chassis. Store these screws in a safe place for re-installation later. Pull the head unit assembly up and forward to remove.



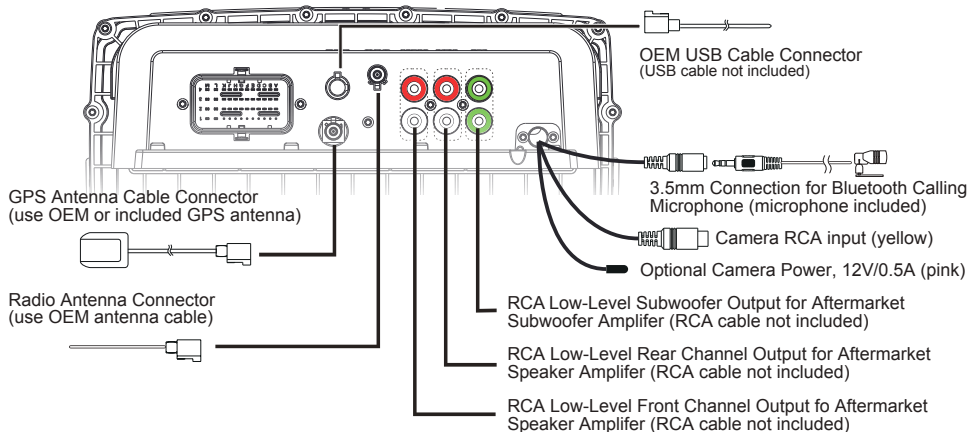
INSTALLATION OF WHD14+ HEAD UNIT

To prevent accidental vehicle start-up, which could cause death or serious injury, remove main fuse before proceeding.

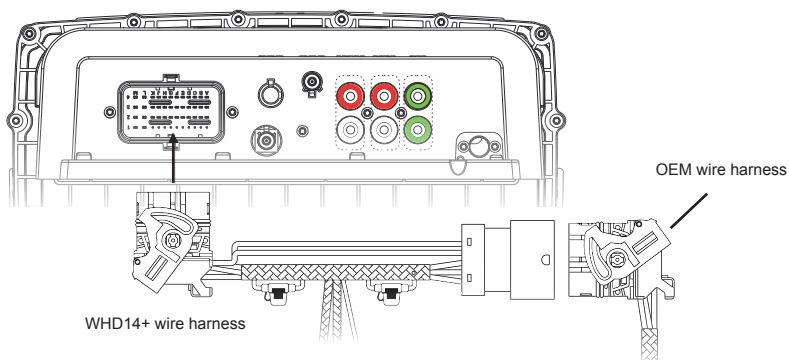
1. Install WHD14+ into the location of the OEM head unit. Secure the chassis to the OEM mounting location with the four bolts removed during the last step of REMOVAL OF ORIGINAL HEAD UNIT section using a 3/16" allen driver.



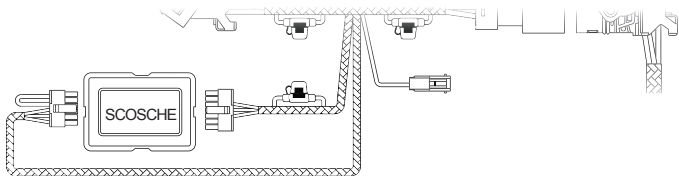
2. Connect the OEM USB and radio antenna cables disconnected during removal of the OEM head unit to the matching sockets on the back of WHD14+. If either are difficult to connect, verify the orientation of the connector(s) is correct. If any aftermarket audio amplifiers will be used in the audio system, take a moment to connect the RCA cables to the corresponding audio outputs. Although not required, if the Bluetooth calling microphone will be used, secure it to the desired installation location, then route its cable to the corresponding input on the back of WHD14+.



3. Insert and lock the male OEM head unit wire harness connector to the female socket of the included wire harness for WHD14+. Then, insert and lock the male connector of the WHD14+ wire harness into the corresponding female socket on the back of WHD14+.



4. If an alternative handlebar integration module other than Scosche is available, skip this step and proceed to step 5. If included, connect the Scosche handlebar integration module to the corresponding 12-pin and 14-pin connectors on the wire harness of WHD14+.



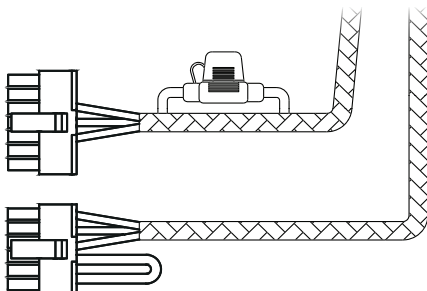
5. If an alternative handlebar integration module is available, cut the wires leading to the 12-pin and 14-pin connectors and discard them. Follow the color coded call-out below to connect the wires of WHD14+ wire harness to the corresponding inputs and outputs of the alternate handlebar control module.

14-Pin Connector

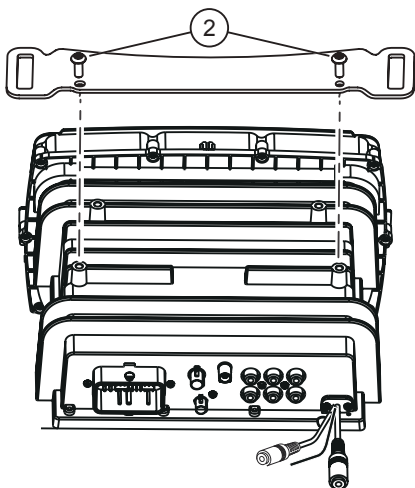
- Red.....ACC turn-on
- Orange/White.....Illumination
- Violet/White.....CAN -
- Green/White.....CAN +
- Black.....Ground
- Yellow.....12V

12-Pin Connector

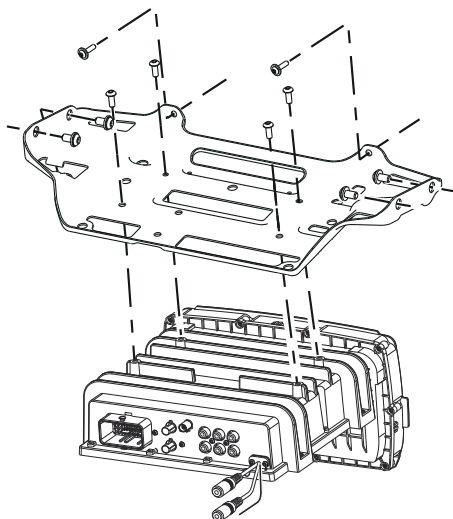
- Black/White.....Key/SWC Ground
- Green/White.....Key/SWC 1
- Grey/White.....Key/SWC 2



6. Double check all connections are complete and secure. Reassemble the fairing support bracket using the original screws to the corresponding screw holes on top of WHD14+. Then, reassemble the fairing by reversing the model specific instructions covered in **REMOVAL OF ORIGINAL HEADUNIT.**



ROAD GLIDE



STREET GLIDE

LIMITED TWO-YEAR (2-YEAR) CONSUMER WARRANTY WITH PURCHASE FROM AN AUTHORIZED SOUNDSTREAM AND/OR PRECISION POWER RETAILER

Epsilon Electronics Inc. promises to the original purchaser of this product to repair to like-new condition or replace this product with a new or like-new unit (at Epsilon Electronics' sole and absolute discretion), should it prove to be defective in workmanship or material under normal use, for a period of two-years (2-years) from the date of purchase from a Soundstream and/or Precision Power authorized retailer. During this two-year (2-year) period, there will be no service charge for repair or replacement.

This limited warranty extends only to the original purchaser of the product, and it is not transferable to the next owner or purchaser of the motorcycle into which the product was originally installed. This warranty does not cover labor costs for removal and reinstallation of the product.

This warranty is void if the product has been damaged caused by installation or removal of the product and will not apply to any unit that is determined to have been modified or mis-used in a manner contrary to its intended purpose. This warranty is void if the product has been damaged by accident or unreasonable use, neglect, improper service or other causes not arising out of defects in material, construction, or workmanship. This warranty does not include the elimination of externally generated static or noise, or the correction of antenna problems or weak reception, damage to speakers, accessories, electrical systems, cosmetic damage or damage due to negligence, misuse, failure to follow operating instructions, accidental spills or customer applied cleaners, damage due to environmental causes such as floods, airborne fallout, chemicals, salt, hail, lightning or extreme temperatures, damage due to traffic accidents, road hazards, fire, theft, loss or vandalism, damage due to improper connection to equipment of another manufacturer or modification of existing equipment.

To file a warranty claim, please contact Soundstream's warranty office to obtain a Return Authorization number prior to shipping the product:

Phone: 1-800-724-1377

E-mail: repairs@soundstream.com

Website: soundstream.com/warranty

Epsilon Electronics Inc.

1550 South Maple Ave

Montebello, CA 90640 USA

After receiving the RA number, pack the product into suitable packaging, include dated proof of purchase, (i.e. a receipt or bill of sale) from the authorized retailer and a money order or cashier's check for return freight to Epsilon Electronics' corporate office, addressed above. Please clearly write the RA number on the outside of the packaging.

IN ORDER FOR THE TWO-YEAR (2-YEAR) WARRANTY TO BE VALID, THE PRODUCT MUST BE SHIPPED WITH PROOF OF PURCHASE FROM AN AUTHORIZED SOUNDSTREAM AND/OR PRECISION POWER AUTHORIZED RETAILER. ANY PRODUCT RECEIVED BY SOUNDSTREAM FOR WARRANTY WITHOUT AN RA NUMBER AND PROOF OF PURCHASE FROM A SOUNDSTREAM AND/OR PRECISION POWER AUTHORIZED RETAILER WILL BE REFUSED. BY PURCHASING THIS PRODUCT, ALL WARRANTIES INCLUDING BUT NOT LIMITED TO EXPRESS WARRANTY, IMPLIED WARRANTY, WARRANTY OF MERCHANTABILITY, FITNESS FOR PARTICULAR PURPOSE, AND WARRANTY OF NON-INFRINGEMENT OF INTELLECTUAL PROPERTY ARE EXPRESSLY EXCLUDED TO THE MAXIMUM EXTENT ALLOWED BY LAW. SOUNDSTREAM NEITHER ASSUMES NOR AUTHORIZES ANY PERSON TO ASSUME FOR IT ANY LIABILITY IN CONNECTION WITH THE SALE OF THE PRODUCT. SOUNDSTREAM HAS ABSOLUTELY NO LIABILITY FOR ANY AND ALL ACTS OF THIRD PARTIES INCLUDING ITS AUTHORIZED RETAILERS OR INSTALLERS. BY PURCHASING THIS PRODUCT, THE CONSUMER AGREES AND CONSENTS THAT ALL DISPUTES BETWEEN THE CONSUMER AND SOUNDSTREAM SHALL BE RESOLVED IN ACCORDANCE WITH CALIFORNIA LAWS IN LOS ANGELES COUNTY, CALIFORNIA. Some states do not allow limitation on how long an implied warranty lasts. In such states, the limitation or exclusions of this Limited Warranty may not apply. Some states do not allow the exclusion or limitation of incidental or consequential damages. In such states, the exclusion or limitation of this Limited Warranty may not apply to you. This Limited Warranty gives you specific legal rights, and you may have other rights which vary from state to state.